

## Precautions

- Do not use the product in enclosed spaces.
- When installing the unit, the front/rear plates and both side plates should be more than 5cm away from the wall or other products.
- Make sure the AC power switch should be off when changing the output voltage.
- Make sure the AC power switch should be off when connecting the cable.
- Please check once again whether the output voltage setting and the cable connections are correct before you turn on the DC power switch, otherwise they will damage the unit.
- Do not attempt to disassemble or modify the product.
- Keep the product away from the external shocks or vibrations.
- Do not use the damaged or peeled cables.
- Do not use the unit outdoors.
- Product specifications and features are subject to change without notice.

## Warranty Information

### Free warranty service

- In case of the defect is found caused by the design or the production flaw while using the device properly, a manufacturer is responsible for the faulty product and the free warranty service for 1 year from the date of purchasing.
- Even in the warranty service period, malfunction or damage of products caused by the inevitable incident such as a natural disaster is not subject of the free warranty service.

### Warranty service at a cost

- The product that free warranty service period is expired..
- Malfunction of the product caused by a user's fault.
- Malfunction of the product caused by incidents.
- Malfunction of the product caused by a natural disaster such as earthquake, flood, lightning & etc.
- In case of the warranty service at a cost, a customer should cover the transportation costs.

### Sample of a user's fault

- In case of attempts to disassemble or modify the device
- In case of not following the instructions on this manual.

Please read this instructions and Q&A board on our website carefully before asking for the warranty service.

## Features/Specification

### User interface

- DC output on/off switch
- Operating indicator
- AC power input on/off switch (Rear panel)

### AC power input

- Voltage : 220Vac / 110Vac
- Frequency : 50Hz / 60Hz
- Current : 2A / 4A

### DC power output

- OUTPUT 1 : High level output
  - Voltage : 18Vdc, 19Vdc, 20Vdc, 21Vdc selectable
  - Current : 4A max
- OUTPUT 2 : Mid level output
  - Voltage : 9Vdc, 10Vdc, 11Vdc, 12Vdc selectable
  - Current : 2A max
- OUTPUT 3 : Low level output
  - Voltage : 5Vdc, 5.5Vdc, 6Vdc, 7Vdc
  - Current : 1A max

### Protection

- Output short
- Over current
- Over temperature

### Dimension

- Width : 360 mm
- Height : 68 mm
- Depth : 245 mm

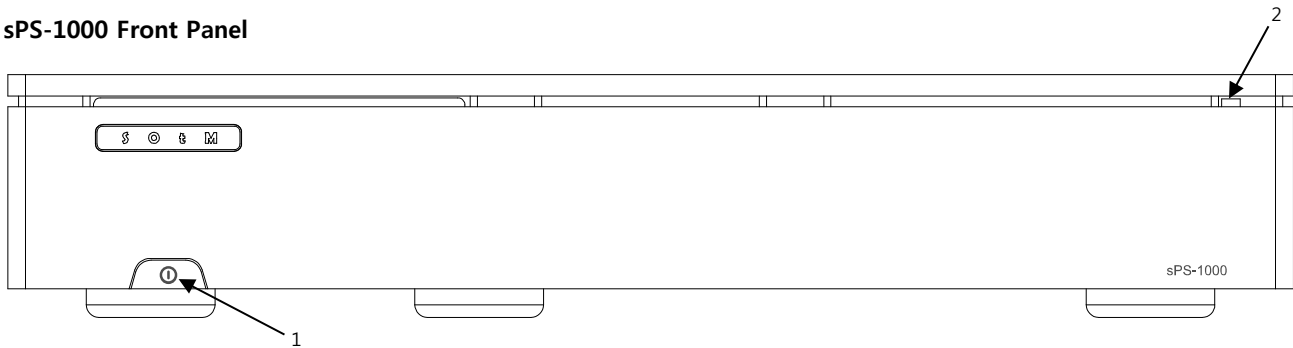
### Weight

- 8Kg >

**S O t M**

**Ultimate High Performance Audio**

## SPS-1000 Front Panel



### 1. DC power output ON/OFF switch

It is used to turn on/ off the DC power output.

**CAUTION: Make sure that the output voltage setting knob on the rear panel and the cable connections should be correct before you turn on the DC power switch, otherwise they will damage the unit.**

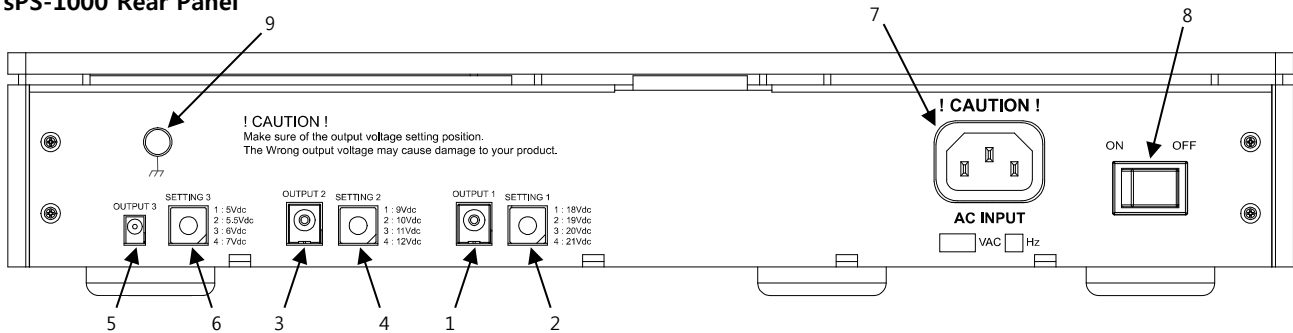
### 2. Operating status lamp

It is used to indicate the operational status. When you turn on the switch, the lamp is on, and when you turn off the switch, the lamp is off.

If there is abnormal situation such as over current or short, the lamp will blink repeatedly.

In this case, the power switch on the rear panel should be off and then turn on the power again after you remove the cause.

## SPS-1000 Rear Panel



### 1. OUTPUT 1

This jack is for DC power out, it can be connected with the audio device which needs around 18V-21V. e.g.) music server as like SMS-1000, PC, turntable.

The jack size is OD 5.5mm, ID 2.0mm.

### 2. SETTING 1

This knob is to change the output voltage of OUTPUT 1. Please rotate the knob with a small flat-head screwdriver and set to the proper output voltage.

The output voltages by the switch knob positions are 1 : 18V, 2 : 19V, 3 : 20V, 4 : 21V

**CAUTION: Make sure that turn off the switch on the rear panel when you set the output voltage.**

### 3. OUTPUT 2

This jack is for DC power out, it can be connected with the audio device which needs around 9V-12V. e.g.)DAC as like sDP-1000, small music player, NAS

The jack size is OD 5.5mm, ID 2.5mm.

### 4. SETTING 2

This knob is to change the output voltage of OUTPUT 2. Please rotate the knob with a small flat-head screwdriver and set to the proper output voltage.

The output voltages by the switch knob positions are 1 : 9V, 2 : 10V, 3 : 11V, 4 : 12V

**CAUTION: Make sure that turn off the switch on the rear panel when you set the output voltage.**

### 5. OUTPUT 3

This jack is for DC power out, it can be connected with the audio device which needs 5V-7V. e.g.) small audio devices such as tX-USBexp, dX-USB HD, or network router

The jack size is OD 3.5mm, ID 1.3mm.

### 6. SETTING 3

This knob is to change the output voltage of OUTPUT 3. Please rotate the knob with a small flat-head screwdriver and set to the proper output voltage.

The output voltages by the switch knob positions are 1 : 5V, 2 : 5.5V, 3 : 6V, 4 : 7V

**CAUTION: Make sure that turn off the switch on the rear panel when you set the output voltage.**

### 7. AC INPUT

This is IEC INLET connector, please check the input AC voltage before you make a connection.,

### 8. ON/OFF switch

This is AC power on/off switch.

Please make sure that turn off the switch when you don't use this unit or when you set the output voltage.

### 9. Earth terminal

This is to connect to the earth(ground).